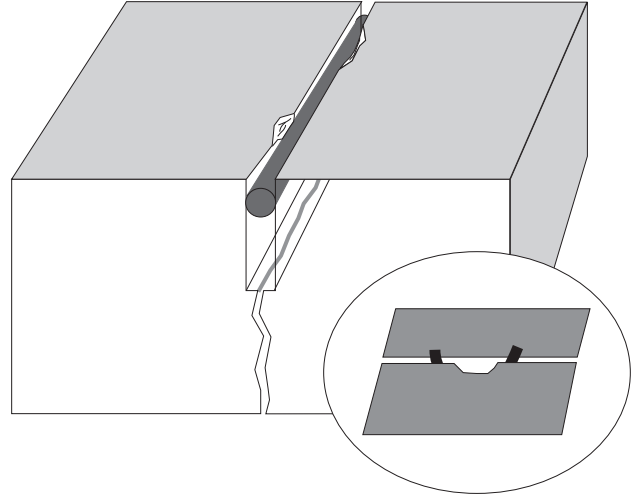


# Repairing Concrete Joint Edge Spalls and Chips with Rapid Refloor

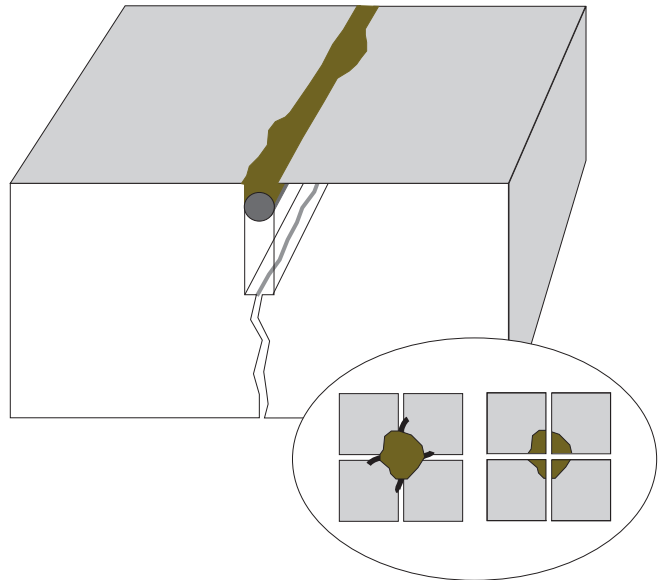
Place backer rod just below the bottom profile of edge spalling along running joint.

If spal being repaired is isolated, place backer rod in “u” shape surrounding both sides of spal.

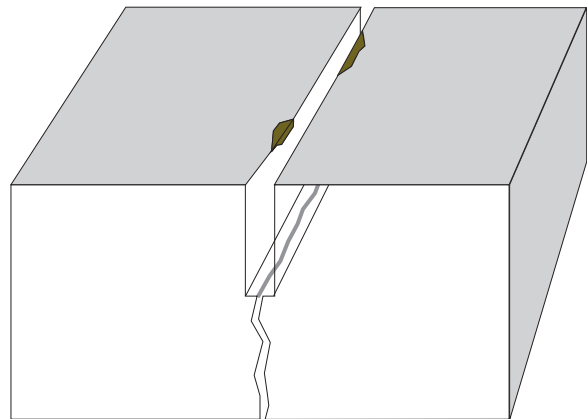


Slightly overfill area with Rapid Refloor in color matching concrete surface. Allow to cure.

Grind excess off surface to flush.



Re-saw cut original joint using diamond blade. Spals should now be filled/restored.



**Rapid  
Refloor**

**METZGER/McGUIRE**  
INDUSTRY STANDARD INDUSTRIAL FLOOR JOINT FILLERS & REPAIR PRODUCTS

**800.223.MM80**  
[www.metzgermcguire.com](http://www.metzgermcguire.com)

Headquarters: P.O. Box 2217 Concord, NH 03302  
Regional: Atlanta | Chicago | Denver | Portland | St. Louis  
Fax: 603.224.6020 E-Mail: [specmm80@aol.com](mailto:specmm80@aol.com)